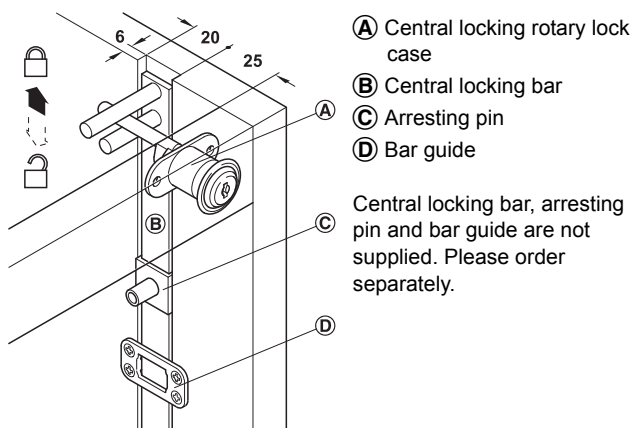


### Central locking rotary cylinder lock

- Area of application: For cylinder cores that are inserted from the front on site
- Material: Zinc alloy
- Finish: Nickel plated
- Version: Lifting pin with 12 or 17 mm lift
- Closure travel: 180°
- Cylinder housing length: 22 mm
- Installation: For installation in fixed front panel

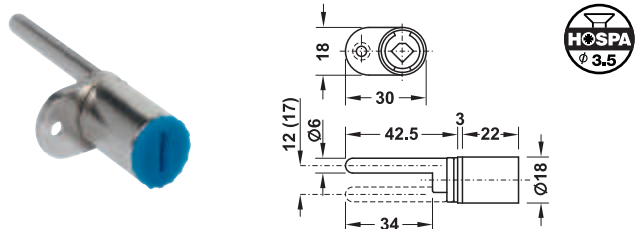


Mount central rotary cylinder lock on the right hand side.

#### Order reference

Only use Premium 20 cylinder cores with **restricted rotation and direction (DIN right)** when using pin tumbler cylinder cores.

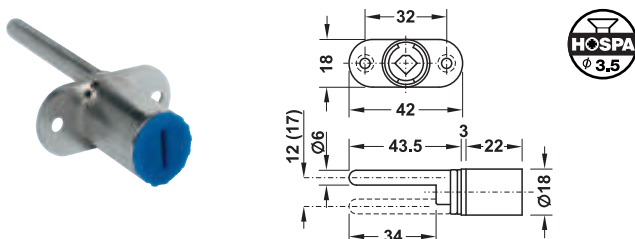
#### → With single wing



Closure travel	Lift mm	Cat. No.
180°	12	234.98.650
	17	234.98.660

Packing: 1 or 20 pieces

#### → With two wings

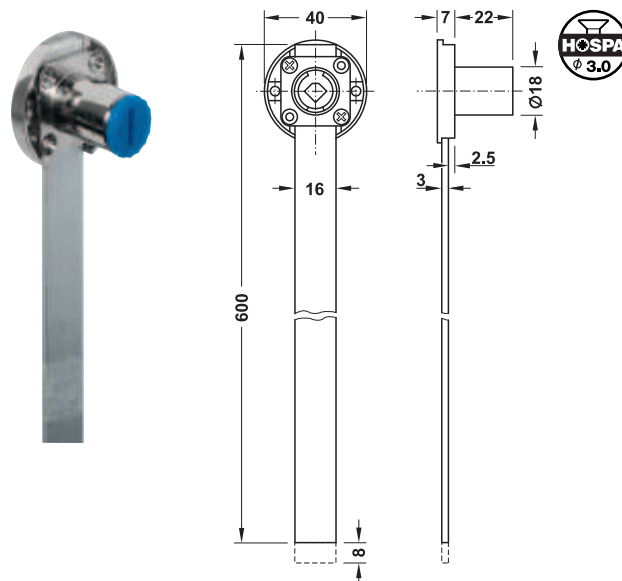


Closure travel	Lift mm	Cat. No.
180°	12	234.98.600
	17	234.98.610

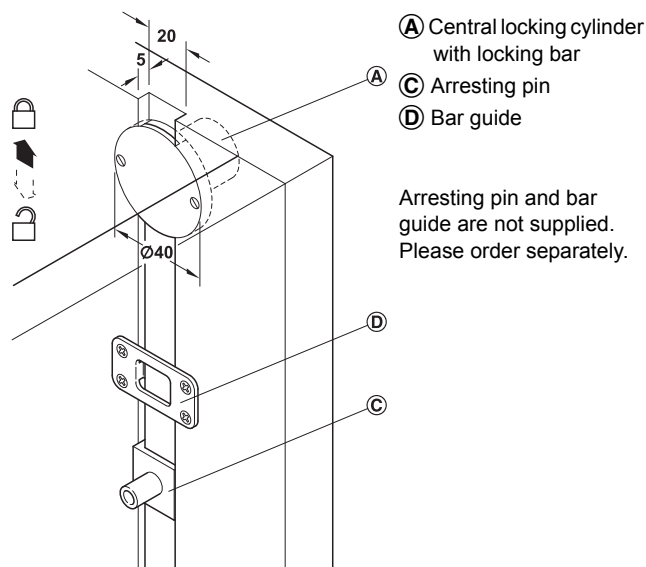
Packing: 1 or 20 pieces

### Central locking cylinder

With locking bar



- Area of application: For cylinder cores that are inserted from the front on site
- Material: Lock: Zinc alloy, locking bar: Aluminium
- Finish: Lock: Nickel plated
- Version: With pre-mounted locking bar 600 mm
- Closure travel: 180°
- Lift: 8 mm
- Cylinder housing length: 22 mm
- Installation: For screw fixing



Closure travel	Lift mm	Cat. No.
180°	8	237.48.600

Packing: 1 or 20 pieces

Furniture lock accessories	► FF 5.142
Symo cylinder cores	► FF 5.84
Ⓑ Central locking bar	► FF 5.150
Ⓒ Arresting pin	► FF 5.150
Ⓓ Bar guide	► FF 5.150